

## Swivel™

## Edge-Lit Exit Sign

The Swivel™ Edge-Lit Exit Sign boasts a unique pivoting design. This feature allows the user to adjust and alternate the angle of the acrylic panel. Many public spaces such as hospitals will have high foot traffic with moving carts which will often bang into exit signs. By utilizing the pivoting feature of this sign, broken exit signs and costly replacements can be avoided. The fixture is illuminated by LEDs and the edge of the panel glows, creating a soft look.



	Features
<b>Body</b>	<ul style="list-style-type: none"> <li>Brushed aluminum housing</li> <li>Adjustable panel with pivoting housing</li> <li>Acrylic panel with clear or mirrored Mylar</li> <li>Brushed aluminum finish only</li> <li>Field applicable chevrons</li> <li>Ceiling recessed mounting includes back box for drywall and T-bar installation</li> </ul>
<b>Face</b>	<ul style="list-style-type: none"> <li>Single face clear panel</li> <li>Double face mirrored Mylar panel</li> </ul>
<b>Mounting</b>	<ul style="list-style-type: none"> <li>Top, end, and back mount</li> <li>Ceiling or wall recessed mounting with back box</li> <li>Mounting canopy included</li> </ul>
<b>Illumination</b>	<ul style="list-style-type: none"> <li>Red or green letters</li> <li>LED</li> </ul>
<b>Battery</b>	4.8 Volt, 300 mAh rechargeable NiCad battery
<b>Operating Temp</b>	50°F to 104°F (10°C to 40°C)
<b>Electronics</b>	<ul style="list-style-type: none"> <li>120/277 VAC 50 / 60Hz Standard</li> <li>Solid state transfer &amp; charger</li> <li>LED AC ON indicator lights</li> <li>Brownout protection</li> <li>Low-voltage disconnect provides total load disconnect (battery) protection to guard against deep discharge during extended power outages</li> </ul>
<b>Warranty</b>	3 -year limited warranty

### Highlights

- Adjustable panel
- Damp Location Rated
- Suitable for drywall and suspended ceiling installs
- Hang straight installation on sloped ceilings
- Battery provides more than 90 minutes of emergency run time

### Compliance

- ANSI/NFPA-101
- ANSI/NFPA-70
- ANSI/UL924
- ICC (IBC & IFC)
- OSHA





## Swivel™

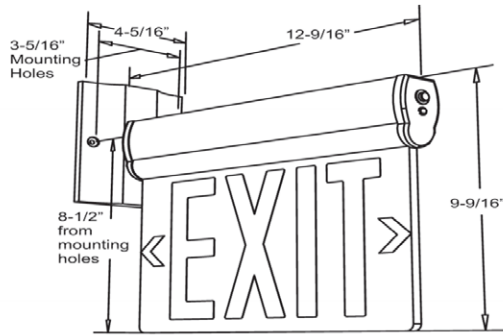
## Edge-Lit Exit Sign

### Product Dimensions & Details

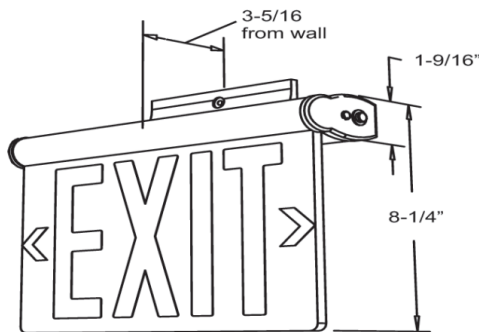
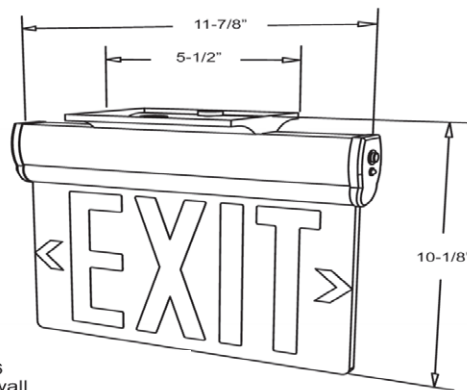
Weight: 8 lbs. (3.63kg)

### Ordering Information

Surface End Mount



Surface Ceiling Mount



Surface Wall Mount



Sloped Ceiling Mount

**Example:** SEL-AC-R-1C-BA-M3

#### Series

SEL = Swivel™ Edge-Lit Exit Sign

#### Operation

AC = AC Only

EM = Battery Backup

#### Legend

R = Red Letters

G = Green Letters

#### Face Count

1C = Single/Clear

2M = Double/Mirror

#### Housing Color

BA = Brushed Aluminum

WH = White

#### Mounting

M3 = Back, Top, End Mount

MC = Ceiling Recessed Mount

The Exit Store LLC  
303 W Lancaster Ave #138  
Wayne, PA 19087  
Toll Free: 844-438-3948 [844-GET-EXIT]  
Tel: 484-913-1916  
Fax: 484-913-1919  
sales@theexitstore.com

[www.theexitstore.com](http://www.theexitstore.com)